



# Push-Lock® Turnbuckle Hanger Bolt

## Push-Lock® Turnbuckle Extended Length Hanger Bolt

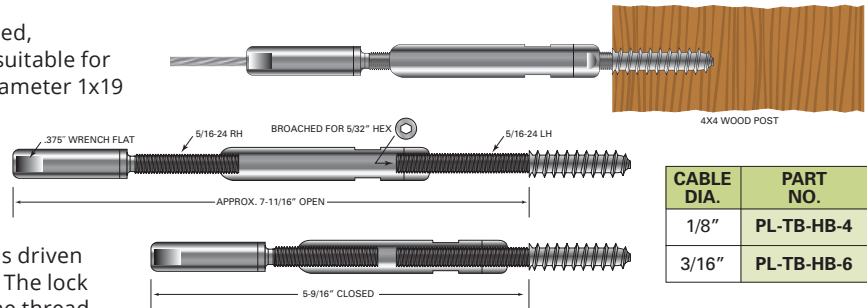


The Push-Lock® Turnbuckle Hanger Bolt is an exposed, swageless, tensioning, face-mounted fitting that is suitable for level runs only, and is available for 1/8" and 3/16" diameter 1x19 stainless steel cable.

The Push-Lock® Turnbuckle Hanger Bolt can be used with any fitting on the opposite end of the run. This fitting consists of four separate pieces: the hanger bolt, the body, the lock nut, and the Push-Lock® Stud. The lag thread of the hanger bolt is driven into a pre-drilled hole in the face of wood end post. The lock nut is installed all the way onto the exposed machine thread of the hanger bolt first, followed by the body. The Push-Lock® Stud threads into the body, and the cable attaches to the stud fitting via our Push-Lock® locking wedge system which requires no special tools. Tension is created by using the body as a turnbuckle. Once sufficient tension is achieved, the lock nut is secured against the body to prevent the fitting from loosening.

We do not recommend this fitting being installed in pitched applications because it would require drilling all of the holes in the end post at an angle. While this is possible with special fixtures, if it is not done correctly the end result would be visually unacceptable.

The most likely application for this fitting would be when substantial take-up is required, AND there is a preference for a swageless fitting, AND there is less than 2-1/2" of space available in back of the end post.



For sleeved posts with an outside diameter of greater than 4-1/2", use the Push-Lock® Turnbuckle with Extended Length Hanger Bolt. The extended length hanger bolt is designed to reach past sleeves and drywall to find the wood post or frame underneath.

