

Push-Lock® Tensioner with Hanger Bolt

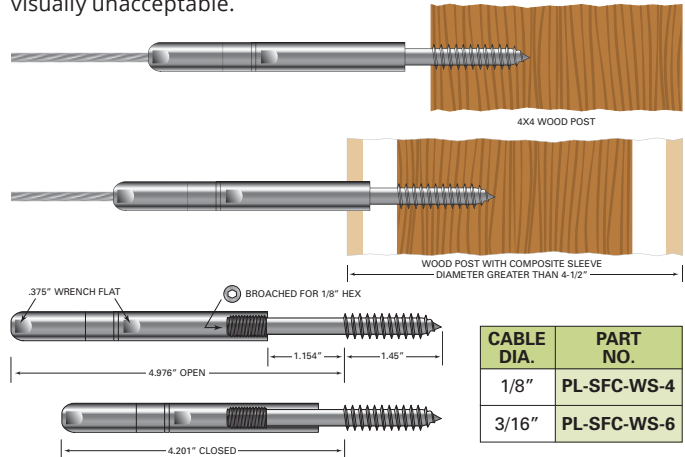


New for 2016 – the Push-Lock® Tensioner with Hanger Bolt is an exposed, swageless, tensioning, face-of-the-post-mounted fitting that is suitable for level runs only, and is available for 1/8" and 3/16" diameter 1x19 stainless steel cable. It is a more compact design than our swaged Adjust-A-Body® fittings.

The Push-Lock® Tensioner with Hanger Bolt can be used with any fitting on the opposite end of the run. This fitting consists of two separate pieces: the hanger bolt and Push-Lock® tensioning body. The hanger bolt is driven into a pre-drilled hole in face of the wood end post. The cable attaches to the body via our Push-Lock® locking wedge system which requires no special tools. The machine thread of the hanger bolt threads into the body, connecting the two pieces. Tension is created by securing the post-side segment of the body onto the machine threads while preventing the cable-side segment of the body from turning. The Push-Lock® Tensioner with Hanger Bolt can be used with sleeved posts as well.

We do not recommend this fitting being installed in pitched applications because it would require drilling all of the holes in

the end post at an angle. While this is possible with special fixtures, if it is not done correctly the end result would be visually unacceptable.



CABLE DIA.	PART NO.
1/8"	PL-SFC-WS-4
3/16"	PL-SFC-WS-6