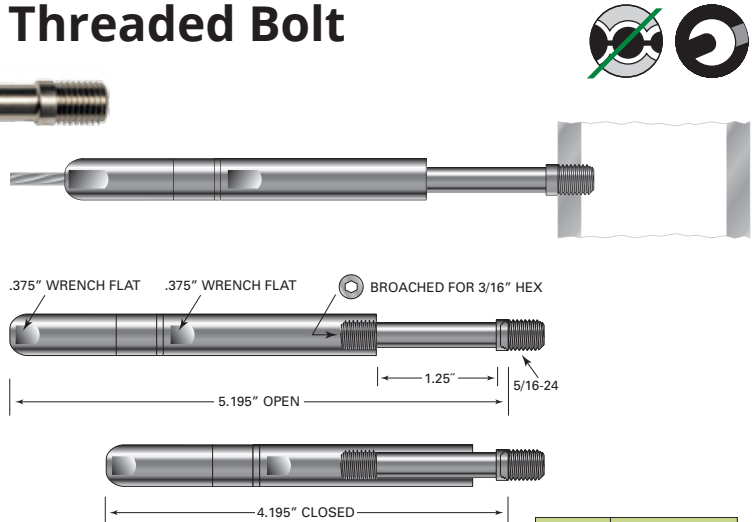


Push-Lock[®] Tensioner with Threaded Bolt



New for 2016 – the Push-Lock[®] Tensioner with Threaded Bolt is an exposed, swageless, tensioning, face-of-the-post-mounted fitting that is suitable for use on level runs only, and is available for 1/8" and 3/16" diameter 1x19 stainless steel cable.

The Push-Lock[®] Tensioner with Threaded Bolt can be used with any fitting on the opposite end of the run. This fitting consists of two separate pieces: the threaded bolt and Push-Lock[®] tensioning body. The threaded bolt is installed into a pre-drilled and tapped hole in the end post. The cable attaches to the fitting via our Push-Lock[®] locking wedge system which requires no special tools. The body threads onto the other end of the bolt, connecting the two pieces. Tension is created by securing the post-side segment of the body onto the machine threads while preventing the cable-side segment of the body from turning.



CABLE DIA.	PART NO.
1/8"	PL-SFC-MS-4
3/16"	PL-SFC-MS-6