

Adjust-A-Body® with Threaded Eye and Threaded Tab

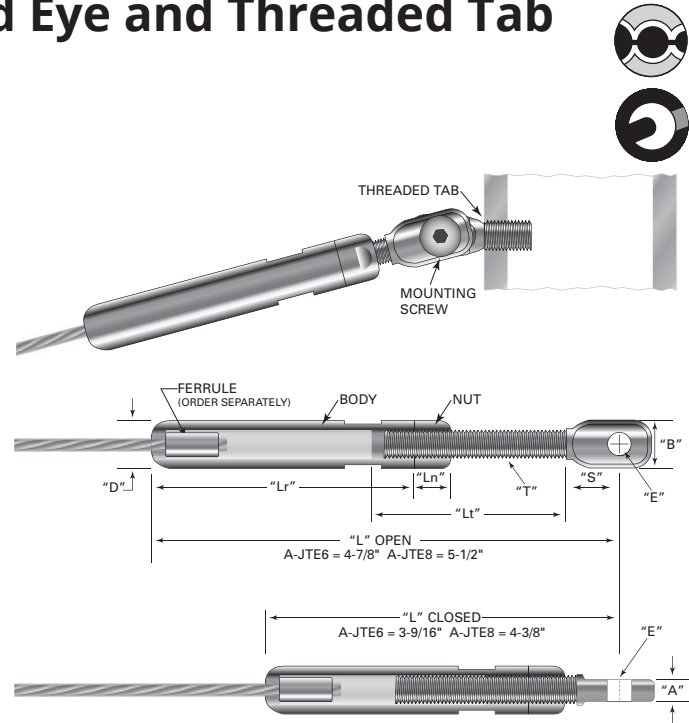


The Adjust-A-Body® with Threaded Eye fitting is an exposed, swaged, tensioning, face-of-the-post-mounted fitting that can be used on level or pitched runs. This fitting is available for 1/8", 3/16", and 1/4" diameter 1x19 stainless steel cable.

The Adjust-A-Body® with Threaded Eye can be used with any fitting on the opposite end of the run. This fitting attaches to the end post by installing a Threaded Tab into a pre-drilled and tapped hole in the end post and attaching the threaded eye portion of the fitting to the threaded **tab** (see information on page 22) with a button head **screw** (see screw information on page 9). The cable is retained within the body portion of the fitting by a ferrule swaged onto the end of the cable. The lock nut is installed all the way onto the threaded eye first, followed by the body, which is secured onto the eye, creating tension on the cable. Once sufficient tension is achieved, the lock nut is secured against the end of the body to secure the fitting from loosening.

While this fitting can be used on pitched or level runs, it is most appropriate for pitched runs because the threaded eye portion of the fitting pivots at the tab.

Use of this fitting requires that an appropriately sized **ferrule** is swaged onto the cable. Ferrule sold separately (see ferrule information on page 8).



TYPE 316 STAINLESS STEEL

CABLE DIA.	PART NO.	USE WITH FERRULE NO.	USE WITH SCREW NO.	USE WITH TAB NO.	"E" THREAD	"A"	"B"	"S"	"T" THREAD	"Lt"	"Ln"	"Lr"	"D" DIA.
1/8"	A-JTE6	F-4	SC-6	TT-6B	1/4-28	.233"/.229"	.500"	.44"	5/16-24 LH	2.00"	.375"	2.75"	.490"
3/16"	A-JTE6	F-6	SC-6	TT-6B	1/4-28	.233"/.229"	.500"	.44"	5/16-24 LH	2.00"	.375"	2.75"	.490"
1/4"	A-JTE8	F-8	SC-8	TT-8B	3/8-24	.295"/.285"	.874"	.68"	7/16-20 LH	2.50"	.500"	3.00"	.617"