

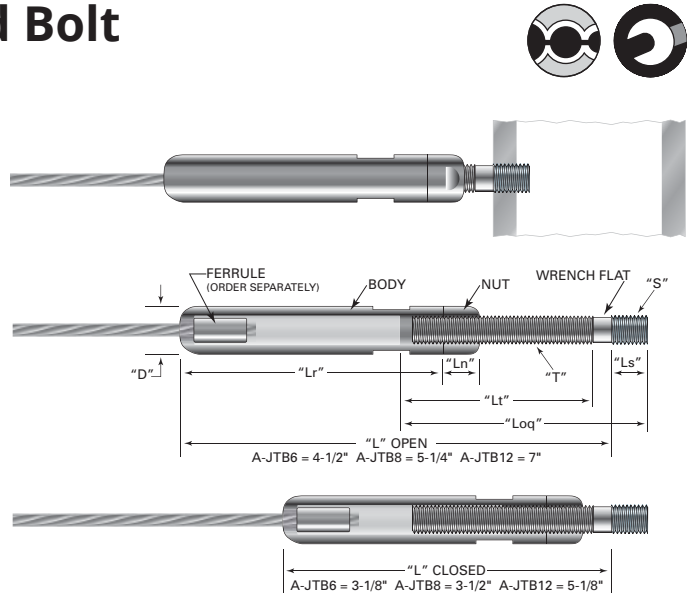
Adjust-A-Body® with Threaded Bolt



The Adjust-A-Body® with Threaded Bolt is an exposed, swaged, tensioning, face-of-the-post-mounted fitting that is recommended for level runs only. This fitting is available for 1/8", 3/16", 1/4", 5/16", and 3/8" diameter 1x19 stainless steel cable.

The Adjust-A-Body® with Threaded Bolt can be used with any fitting on the opposite end of the run. The short thread of the threaded bolt portion of the fitting is secured into a pre-drilled and tapped hole in the end post. The cable is retained within the body portion of the fitting by a ferrule swaged onto the end of the cable. The lock nut is installed all the way onto the threaded bolt first, followed by the body, which is secured onto the threaded bolt, creating tension on the cable. Once sufficient tension is achieved, the lock nut is secured against the end of the body to secure the fitting from loosening.

Use of this fitting requires an appropriately sized **ferrule** that is swaged onto the cable, which must be purchased separately (see ferrule information on page 8).



TYPE 316 STAINLESS STEEL

CABLE DIA.	PART NO.	USE WITH FERRULE NO.	"S"	"T" THREAD	"Ls"	"Lt"	"Loq"	"Ln"	"Lr"	"D"
1/8"	A-JTB6	F-4	5/16-24	5/16-24 L.H.	.375"	2.00"	2.625"	.375"	2.75"	.490"
3/16"		F-6	5/16-24	7/16-20 L.H.	.375"	2.50"	3.125"	.500"	3.00"	.617"
1/4"	A-JTB8	F-8	5/16-24	9/16-18	.62"	3.00"	4.00"	.62"	4.50"	.744"
5/16"	A-JTB12	F-10	1/2-20	1/2-20 L.H.	.62"	3.00"	4.00"	.62"	4.50"	.744"
3/8"		F-12	1/2-20	1/2-20 L.H.	.62"	3.00"	4.00"	.62"	4.50"	.744"