

Adjust-A-Body® with Hanger Bolt

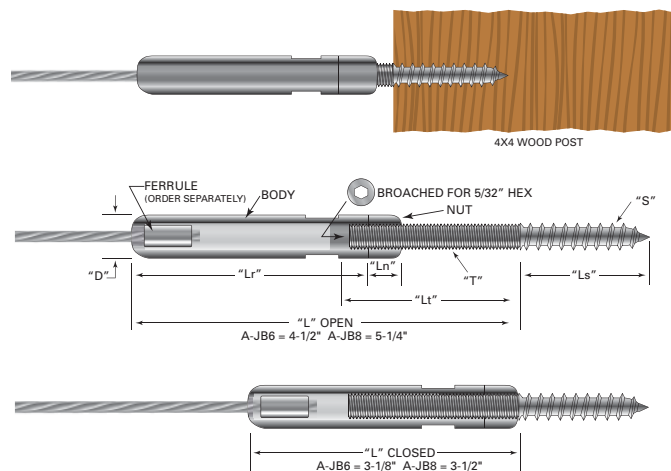


The Adjust-A-Body® with Hanger Bolt is a swaged, tensioning, face-of-the-post-mounted fitting that is recommended for level runs only. This fitting is available for 1/8", 3/16", and 1/4" diameter 1x19 stainless steel cable.

The Adjust-A-Body® with Hanger Bolt can be used with any fitting on the opposite end of the run. The lag thread of the hanger bolt portion of the fitting is driven into a pre-drilled hole in the wood end post. The cable is retained within the body portion of the fitting by a ferrule swaged onto the end of the cable. The lock nut is installed all the way onto the hanger bolt first, followed by the body, which is secured onto the hanger bolt, creating tension on the cable. Once sufficient tension is achieved, the lock nut is secured against the end of the body to prevent the fitting from loosening.

We do not recommend this fitting being installed in pitched applications because it would require drilling all of the holes in the end post at an angle. While this is possible with special fixtures, if it is not done correctly the end result would be visually unacceptable.

Use of this fitting requires an appropriately sized **ferrule** that is swaged onto the cable, which must be purchased separately.



TYPE 316 STAINLESS STEEL

CABLE DIA.	PART NO.	USE WITH FERRULE NO.	"S"	"T" THREAD	"Ls"	"Lt"	"Ln"	"Lr"	"D" DIA.	MINIMUM TIMBER SIZE
1/8"	A-JB6	F-4	5/16"	5/16-24 LH	1.50"	2.00"	.375"	2.75"	.490"	4 x 4
3/16"	A-JB6	F-6	5/16"	5/16-24 LH	1.50"	2.00"	.375"	2.75"	.490"	
1/4"	A-JB8	F-8	7/16"	7/16-20 LH	2.00"	2.50"	.500"	3.00"	.617"	